

DIGITAL PRESSURE TRANSMITTER 2.5"

MODEL
SPD2



FEATURES

- Accuracy 0.25% F.S.
- Thick film strain gage on ceramic and stainless steel(SUS316)
- Pressure range from -1 to 250 bar
- Display pressure units bar, Kg/cm²,KPa,MPa,PSI,mmHg,inHg can be modified
- Memory hold maximum value and minimum value function
- Field-rangible supply voltage from 10 to 28 Vdc
- 16 bit DAC analog output function
- $RL(max.) < [(Vs-8V)/0.02A] \Omega$, up to 800 ohms at 24Vdc
- Protection class NEMA4/IP65, need enclosure don't directly used outdoors

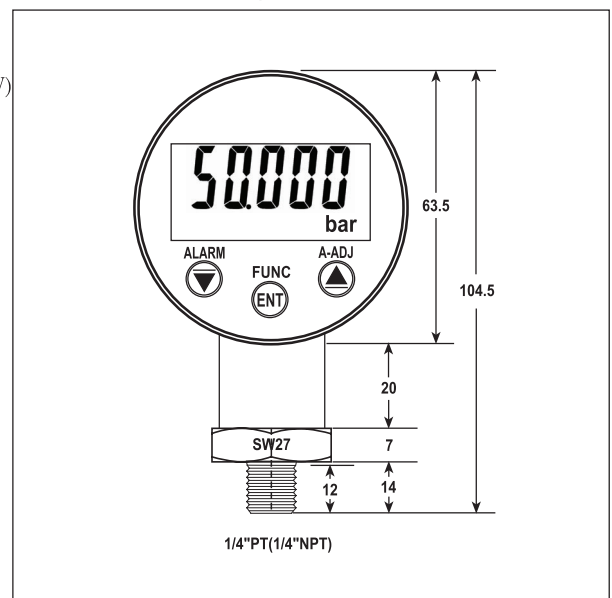
1.MODEL:SPD2-

| NO | Pressure Range | NO | Pressure Range | NO | Output Range | NO | Output Range | NO | Pressure Connection | NO | Cable Length |
|----|----------------|----|----------------|----|-------------------------|----|------------------------------|----|---------------------|----|---------------------------|
| 1 | -1~2 bar | 4 | 0~250 bar | 1 | DC4~20mA(2-wire-system) | 4 | DC0~10V(3-wire-system) | 1 | 1/4"PT | 2 | 2M(standard) |
| 2 | -1~10 bar | | | 2 | DC4~20mA(3-wire-system) | 5 | Customer(3-wire-system) | 2 | 1/4"NPT | 9 | Customer |
| 3 | -1~50 bar | | | 3 | DC1~5V(3-wire-system) | | •2~5 Power consumption<0.5VA | 3 | 1/2"NPT | | •3 cond.+shield,28AWG,PVC |

2.SPICIFICATION

- Measuring accuracy : 0.25% F.S.
- Supply voltage : DC10 to 28V(Output=DC4~20mA(3-wire)/1~5V)
DC14 to 28V(Output=DC4~20mA(2-wire)/DC0~10V)
- Indication cycle : 0.1s~9.9s can be modified
- Readout (measuring) range : -19999~99999 digit
- Zero (offset) range : 0~±999 digit adjustable
- Span range : 0~±999 digit adjustable
- Maximum permissible over pressure : Maximum 2 x rated (<60Bar)
Maximum 1.5 x rated (>60Bar)
- Burst pressure : 3 x rated (<60Bar)
1.8 x rated (>60Bar)
- Analog output resolution : 16 bit DAC
- Response time : 50ms (0~90%)
- Output drive capability : $< [(Vs-12V)/0.02A] \Omega$ (Current 2-wire)
 $< [(Vs-8V)/0.02A] \Omega$ (Current 3-wire)
>1K Ω (Voltage 3-wire)
- Output ripple(p-p) : <0.1% F.S.
- Thermal span shift : ±0.05% F.S./10°C
- Thermal zero shift : ±0.05% F.S./10°C
- Zero point long term stability : ±0.1% F.S./year(<60 Bar)
±0.15% F.S./year(>60 Bar)
- Display : Bright red LEDS high 10.16mm (0.4")
- Parameter setting : Touch switches
- Memory mode : Non-volatile E² PROM memory
- Diaphragm materials : Ceramic Al₂O₃-96%
- Pressure port materials : Stainless steel 1.4401(SUS316)
- Seale(media wetted)materials : NBR <16Bar
PVDF >16Bar
- Display housing materials : FR-PET(UL94-VO)
- Operating temperature range : -10 to 60°C
- Storage & medium temperature range: -30 to 80°C
- CE EMC Certification : EN 55022:1998/A1:2000 Class A
EN 61000-3-2:2000
EN 61000-3-3:1995/A1:2001
EN 55024:1998/A1:2001

3.DIMENSION(unit:mm)



4.CONNECTION DIAGRAM

