



NX202A

Features

- Microprocessor based numerical relay
- Current measurement based on fundamental frequency
- Low-set IDMT normal inverse relay
- High-set instantaneous relay
- Separate low-set and high-set trip indicators
- Option to disable the high-set element
- Front panel access to the test function
- Complies with IEC 60255 standard
- ANSI Code : 50N, 51N

Technical Data

RATINGS

Rated current (I _n)	: 5 A
Rated frequency	: 50 Hz
Burden	: < 0.3 VA at I _n
Thermal withstand	: 4 x I _n continuous

ACCURACY

Protection thresholds	: ± 5%
Time delay	: ± 5% with a minimum of 50 ms

INDICATORS

Auxiliary supply	: Green indicator
Pick-up	: Red indicator
Trip	: Red indicator

AUXILIARY SUPPLY

Model NX202A-240A	: 198 ~ 265 V AC
Model NX202A-110A	: 94 ~ 127 V AC
Supply frequency	: 50 Hz
VA rating	: 3 VA typical

OUTPUT CONTACTS

Trip contact (R1)	: Manual reset type
Rated voltage	: 250V AC
Contact rating	: 5 A
Expected electrical life	: 100,000 operations at rated current
Expected mechanical life	: 5 x 10 ⁶ operations

ENVIRONMENTAL CONDITIONS

Temperature	: -10°C to +55°C
Humidity	: 5% to 95%, non-condensing

SETTING RANGES

Low-set (I _{>})	: 0.1 A to 2.0 A
	: 2% to 40%
Time multiplier (TM)	: 0.05 to 1.0
High-set (I _{>>})	: I _{>} to 10 x I _{>} or disable
High-set delay time (t _{>>})	: Instantaneous

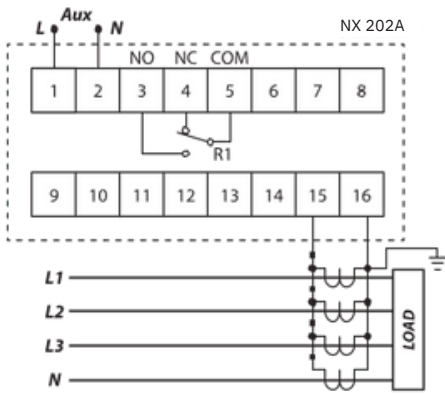
TIME CURRENT CHARACTERISTIC CURVE

- IDMT normal inverse

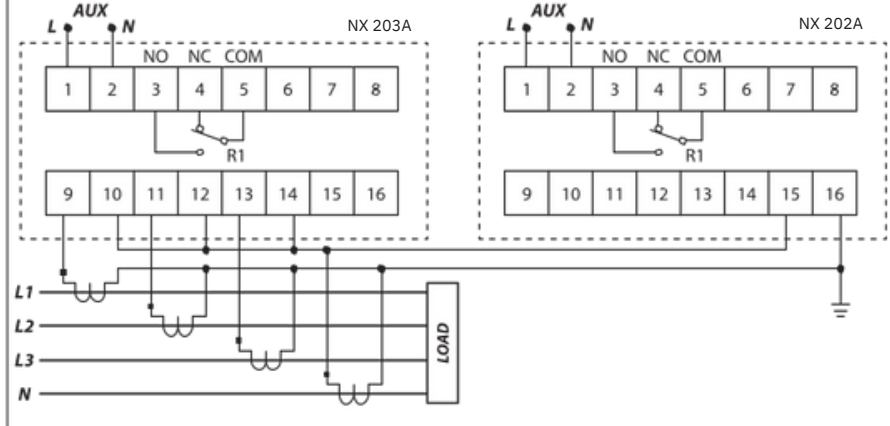
MECHANICAL

Mounting	: Panel mounting
Dimension (mm)	: 96(w) x 96(h) x 90(d)
Approximate weight	: 0.6 kg
Enclosure protection	: IP40 at the panel

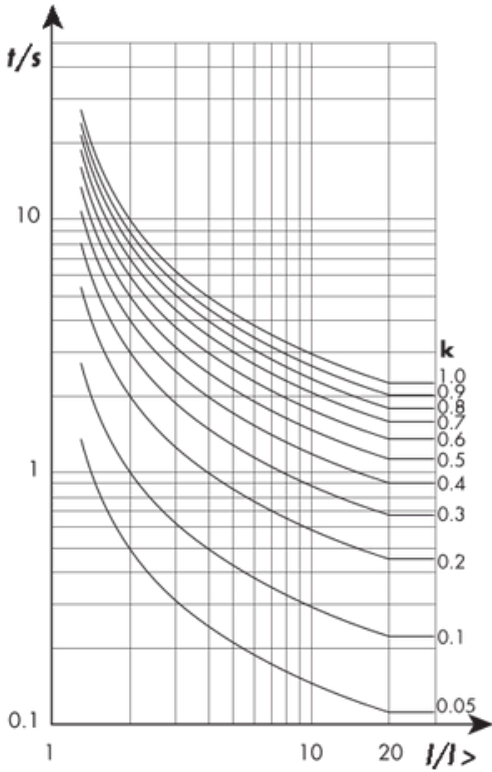
Typical Application Diagram



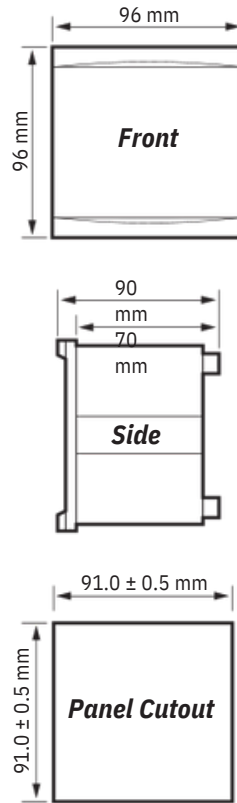
Combined IDMT Overcurrent & Earth Fault Relays



Normal Inverse



Case Dimensions



Ordering Information

MODEL	DESCRIPTION
NX202A - 240A	For 50 Hz system, auxiliary voltage 198 ~ 265 V AC
NX202A - 110A	For 50 Hz system, auxiliary voltage 94 ~ 127 V AC