

Wall Mounting Watertight Metal Enclosures



IP 65 (IEC 529)



Optional Items



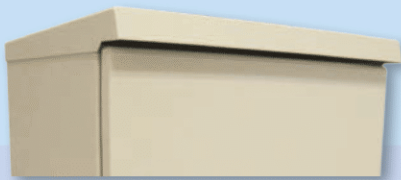
- * Transparent Door / Inner Door
- * Fan / Filter Ventilation



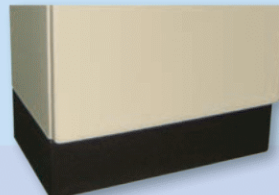
- * Modular Chassis



- * Rain Hood (outdoor)



- * Canopy (outdoor)



- * Plinth (100mm/200mmH)



- A. PVC lock (CVS standard)
- B. Metal cam lock with keys
- C. Die cast quarter turn

- * A continuous seal of polyurethane gasket at door provide high IP protection.
- * Surface finished with polyester powder coating RAL7032 texture, CVS beige colour.
- * Galvanised mounting plate and wall mounting bracket.
- * 4 welded studs for fixing mounting plate.
- * Conceal hinges provide 130° door opening.
- * Earthing facilities on door, body and mounting plate.
- * Double folded gutter at door frame increases rigidity and prevents water from entering while door is opened



SIRIM
Certified to: MS IEC 60529: 2005
Certification No.: LC020801



CERT NO. KLR 0403479

Wall Mounting Watertight Metal Enclosures

Vertical Type

NO.	MODEL	DIMENSION (MM) H x W x D	MOUNTING PLATE (MM)	GLAND PLATE	NOS. OF LOCK	TRANS. DOOR	INNER DOOR	MOD. CHASSIS	FILTER/ R. HOOD	CANOPY	PLINTH
1	CR 252010	250 x 200 x 100	214 x 150	0	1						
2	CR 252015	250 x 200 x 150	214 x 150	0	1					•	
3	CR 302515	300 x 250 x 150	264 x 200	A1	1	•		•		•	•
4	CR 302520	300 x 250 x 200	264 x 200	A1	1	•		•	•	•	•
5	CR 303015	300 x 300 x 150	264 x 250	A1	1	•				•	•
6	CR 303020	300 x 300 x 200	264 x 250	A1	1	•			•	•	•
7	CR 403015	400 x 300 x 150	364 x 250	A1	1	•		•		•	•
8	CR 403020	400 x 300 x 200	364 x 250	A1	1	•	•	•	•	•	•
9	CR 404020	400 x 400 x 200	364 x 350	B1	1	•	•		•	•	•
10	CR 504015	500 x 400 x 150	464 x 350	A1	1	•		•		•	•
11	CR 504020	500 x 400 x 200	464 x 350	B1	1	•	•	•	•	•	•
12	CR 504025	500 x 400 x 250	464 x 350	B1	1	•	•		•	•	•
13	CR 504030	500 x 400 x 300	464 x 350	B1	1	•	•		•	•	•
14	CR 505020	500 x 500 x 200	464 x 450	B1	1	•	•		•	•	•
15	CR 505025	500 x 500 x 250	464 x 450	C1	1	•	•		•	•	•
16	CR 604015	600 x 400 x 150	564 x 350	A2	2	•		•		•	•
17	CR 604020	600 x 400 x 200	564 x 350	B2	2	•	•	•	•	•	•
18	CR 604025	600 x 400 x 250	564 x 350	B2	2	•	•	•	•	•	•
19	CR 605020	600 x 500 x 200	564 x 450	B2	2	•	•	•	•	•	•
20	CR 605025	600 x 500 x 250	564 x 450	C2	2	•	•		•	•	•
21	CR 606020	600 x 600 x 200	564 x 550	C2	2	•	•		•	•	•
22	CR 606025	600 x 600 x 250	564 x 550	C2	2	•	•		•	•	•
23	CR 606030	600 x 600 x 300	564 x 550	C2	2	•	•		•	•	•
24	CR 705020	700 x 500 x 200	664 x 450	B2	2	•	•	•	•	•	•
25	CR 705025	700 x 500 x 250	664 x 450	C2	2	•	•		•	•	•
26	CR 806020	800 x 600 x 200	764 x 550	C2	2	•	•	•	•	•	•
27	CR 806025	800 x 600 x 250	764 x 550	C2	2	•	•		•	•	•
28	CR 806030	800 x 600 x 300	764 x 550	C2	2	•	•		•	•	•
29	CR 808025	800 x 800 x 250	764 x 750	C4	2	•	•		•	•	•
30	CR 1006030	1000 x 600 x 300	964 x 550	C2	2	•	•		•	•	•
31	CR 1008030	1000 x 800 x 300	964 x 750	C4	2	•	•		•	•	•
32	CR 1208030	1200 x 800 x 300	1164 x 750	C4	2	•	•		•	•	•

Horizontal Type

1	CR302515H	250 x 300 x 150	214 x 250	A1	1	•				•	•
2	CR302520H	250 x 300 x 200	214 x 250	A1	1	•			•	•	•
3	CR403015H	300 x 400 x 150	264 x 350	A1	1	•				•	•
4	CR403020H	300 x 400 x 200	264 x 350	B1	1	•			•	•	•
5	CR504015H	400 x 500 x 150	364 x 450	A1	1	•					
6	CR504020H	400 x 500 x 200	364 x 450	B1	1	•			•	•	•
7	CR504025H	400 x 500 x 250	364 x 450	B1	1	•			•	•	•
8	CR604015H	400 x 600 x 150	364 x 550	A2	1	•					
9	CR604020H	400 x 600 x 200	364 x 550	B2	1	•			•	•	•
10	CR605020H	500 x 600 x 200	464 x 550	B2	2	•			•	•	•
11	CR605025H	500 x 600 x 250	464 x 550	C2	2	•			•	•	•
12	CR705020H	500 x 700 x 200	464 x 650	B2	2	•			•	•	•
13	CR705025H	500 x 700 x 250	464 x 650	C2	2	•			•	•	•

Two-Door Type*

1	CR1008030H	800 x 1000 x 300	719 x 916	C2	1	•	•		•	•	•
2	CR10010030	1000 x 1000 x 300	916 x 916	C2	1	•	•		•	•	•
3	CR12010030	1200 x 1000 x 300	1116 x 916	C2	1	•	•		•	•	•

Dimension for gland hole - A-174 x 60, B-259 x 88, C-310 x 115.

* IP55

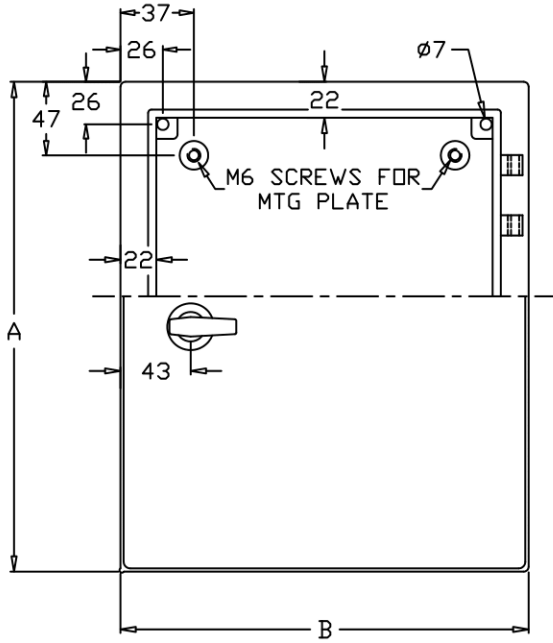
CVS METAL INDUSTRIES SDN BHD

IP65

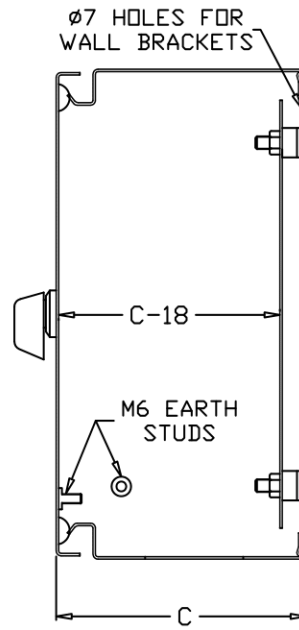
COMPLETE PRODUCT SPECIFICATIONS & DIMENSIONS

CVS-S01
Rev : 3

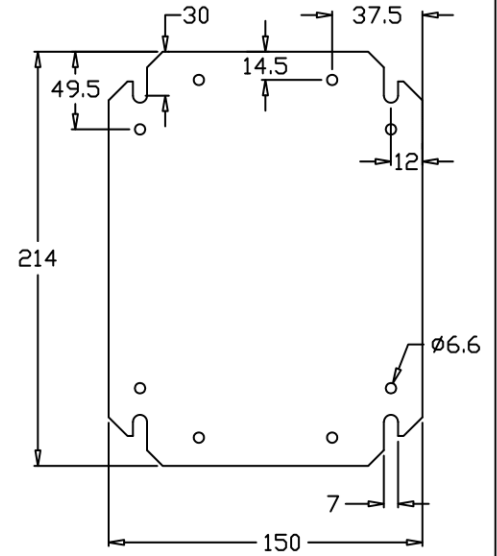
CR MODEL – WALL MOUNT INDUSTRIAL METAL ENCLOSURE



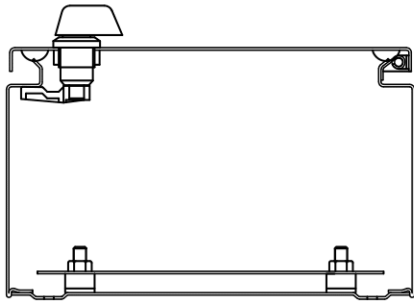
FRONT VIEW



SIDE VIEW



MOUNTING PLATE



BOTTOM VIEW

CR MODEL DESCRIPTION		
PART NAME	MATERIAL	FINISHING
BODY	1.4MM M.S	POLYESTER POWDER COATING
DOOR	1.4MM M.S	RAL7032, BEIGE
MOUNTING PLATE	1.4MM M.S	RAINBOW PLATED
WALL BRACKET (OPTIONAL)	2.0MM M.S	RAINBOW PLATED

MODEL	A	B	C	GLAND OPENINGS	NO. OF WALL BRACKETS	WEIGHT (KG)
CR252010	250	200	103	0	0	3.0
CR252015	250	200	153	0	0	3.5

- NOTES: 1) MEASUREMENTS ARE IN MM
2) NO GLAND OPENING
3) WALL BRACKET NOT INCLUDED FOR THIS SIZE

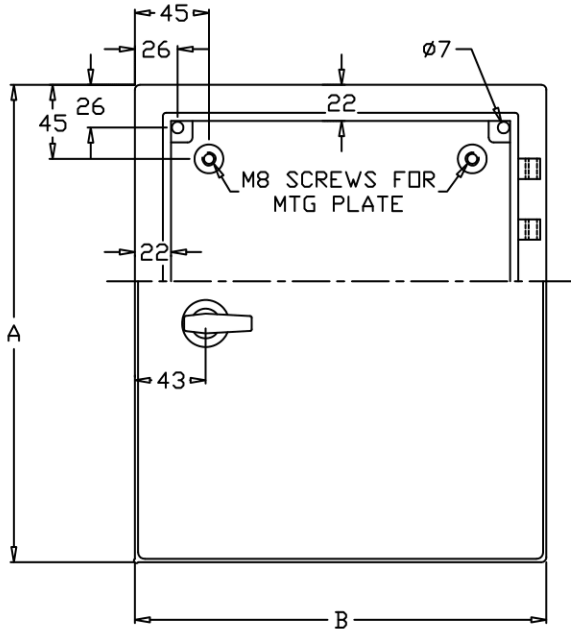
CVS METAL INDUSTRIES SDN BHD

IP65

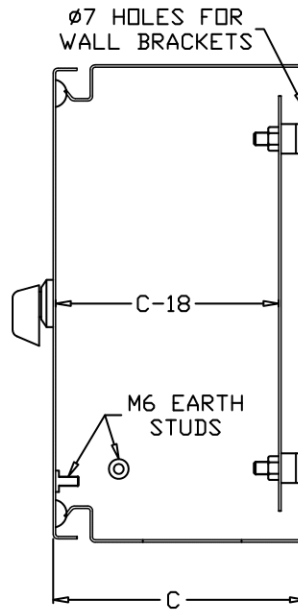
COMPLETE PRODUCT SPECIFICATIONS & DIMENSIONS

CVS-S01
Rev : 2

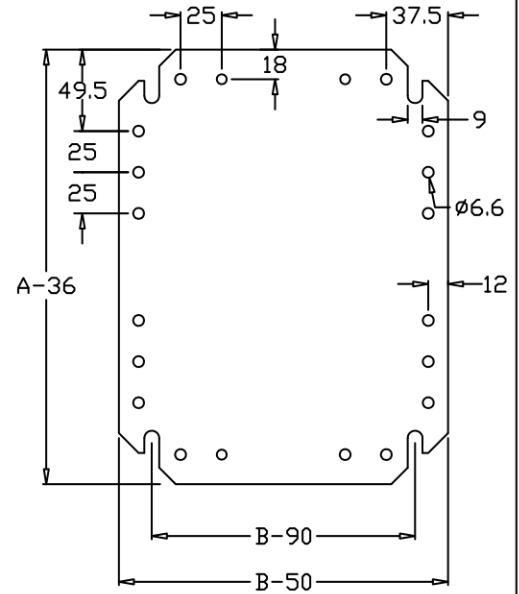
CR MODEL – WALL MOUNT INDUSTRIAL METAL ENCLOSURE



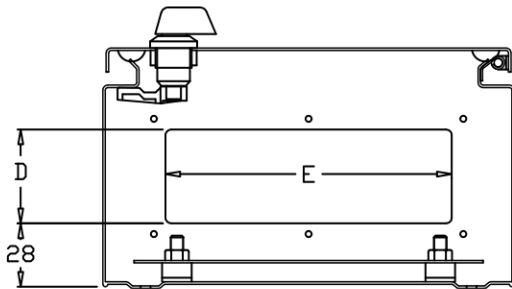
FRONT VIEW



SIDE VIEW



MOUNTING PLATE



BOTTOM VIEW

CR MODEL DESCRIPTION		
PART NAME	MATERIAL	FINISHING
BODY/DOOR/GLAND PLATE	1.4MM M.S	POLYESTER POWDER COATING - RAL 7032, BEIGE
MOUNTING PLATE WALL BRACKET	1.4/2.0MM M.S 2.0MM M.S	RAINBOW PLATED

MODEL	A	B	C	D	E	MOUNTING PL. THICKNESS	BOT. GLAND TYPE	WALL BRACKETS	WEIGHT (KG)
CR302515	300	250	153	60	174	1.4	A1	4	5.4
CR302520	300	250	203	60	174	1.4	A1	4	6.0
CR303015	300	300	153	60	174	1.4	A1	4	6.0
CR303020	300	300	203	60	174	1.4	A1	4	6.8
CR403015	400	300	153	60	174	2.0	A1	4	8.0
CR403020	400	300	203	60	174	2.0	A1	4	8.4
CR404020	400	400	203	88	259	2.0	B1	4	10.6
CR504015	500	400	153	60	174	2.0	A1	4	11.8
CR504020	500	400	203	88	259	2.0	B1	4	13.0
CR504025	500	400	253	88	259	2.0	B1	4	14.0
CR504030	500	400	303	88	259	2.0	B1	4	15.0
CR505020	500	500	203	88	259	2.0	B1	4	15.2
CR505025	500	500	253	115	310	2.0	C1	4	16.6

NOTES: 1) MEASUREMENTS ARE IN MM
2) SINGLE GLAND OPENING ON BOTTOM

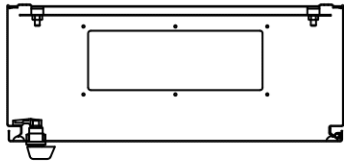
CVS METAL INDUSTRIES SDN BHD

IP65

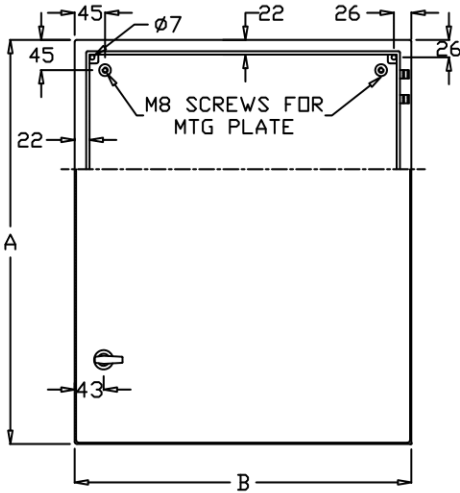
COMPLETE PRODUCT SPECIFICATIONS & DIMENSIONS

CVS-S01
Rev : 0

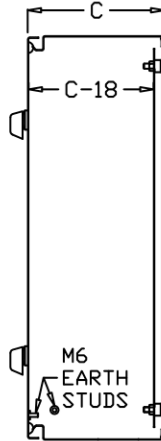
CR MODEL – WALL MOUNT INDUSTRIAL METAL ENCLOSURE



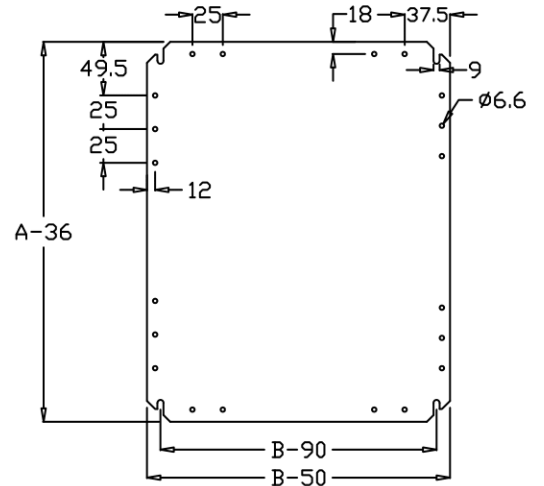
TOP VIEW



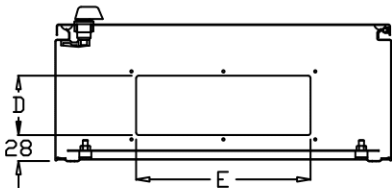
FRONT VIEW



SIDE VIEW



MOUNTING PLATE



BOTTOM VIEW

CR MODEL DESCRIPTION		
PART NAME	MATERIAL	FINISHING
BODY/GLAND PLATE	1.4MM M.S	POLYESTER POWDER
DOOR	1.4/2.0MM M.S	COATING- RAL7032, BEIGE
MOUNTING PLATE	2.0MM M.S	RAINBOW PLATED
WALL BRACKET	3.0MM M.S	

MODEL	A	B	C	D	E	DOOR THICKNESS	TOP & BOT. GLAND TYPE	WALL BRACKETS	WEIGHT (KG)
CR604015	600	400	153	60	174	1.4	A2	4	14.2
CR604020	600	400	203	88	259	1.4	B2	4	15.2
CR604025	600	400	253	88	259	1.4	B2	4	15.2
CR605020	600	500	203	88	259	2.0	B2	4	19.7
CR605025	600	500	253	115	310	2.0	C2	4	21.0
CR606020	600	600	203	115	310	2.0	C2	4	23.0
CR606025	600	600	253	115	310	2.0	C2	4	24.6
CR606030	600	600	303	115	310	2.0	C2	4	27.0
CR705020	700	500	203	88	259	2.0	B2	4	22.0
CR705025	700	500	253	115	310	2.0	C2	4	23.6
CR806020	800	600	203	115	310	2.0	C2	4	29.0
CR806025	800	600	253	115	310	2.0	C2	4	30.6
CR806030	800	600	303	115	310	2.0	C2	4	32.0
CR1006030	1000	600	303	115	310	2.0	C2	4	39.0

- NOTES: 1) MEASUREMENTS ARE IN MM
 2) SINGLE GLAND OPENING ON TOP & BOTTOM
 3) ALL WALL BRACKETS ARE 3.0MM EXCEPT CR 604015 - 2.0MM

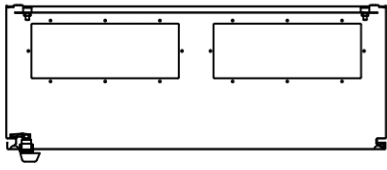
CVS METAL INDUSTRIES SDN BHD

IP65

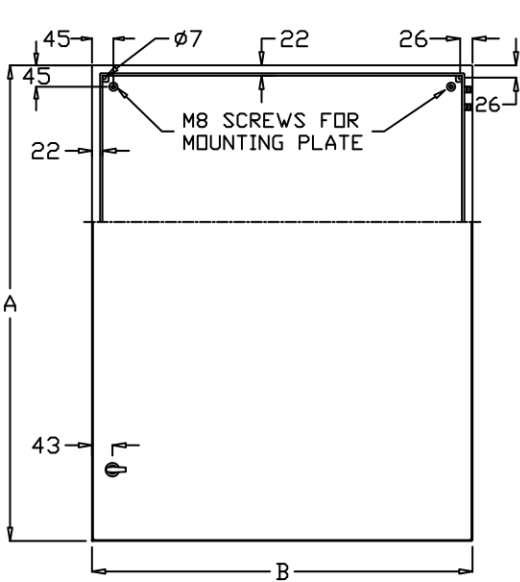
COMPLETE PRODUCT SPECIFICATIONS & DIMENSIONS

CVS-S01
Rev : 0

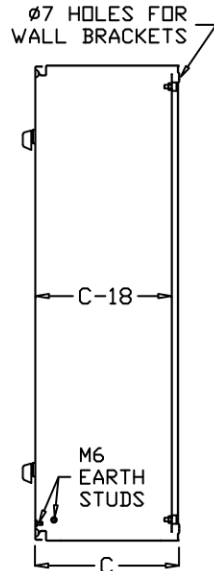
CR MODEL – WALL MOUNT INDUSTRIAL METAL ENCLOSURE



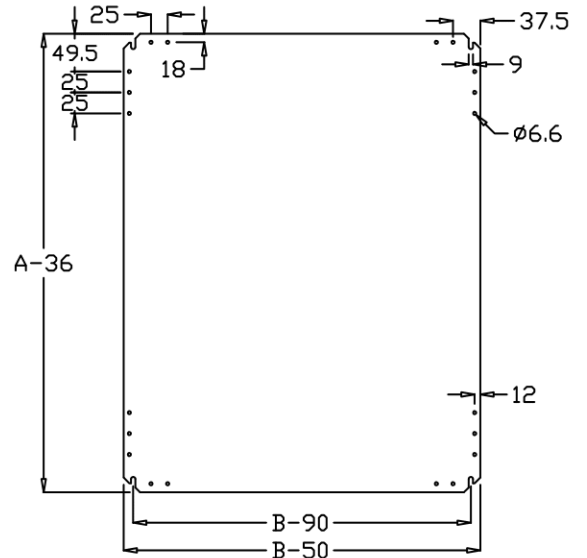
TOP VIEW



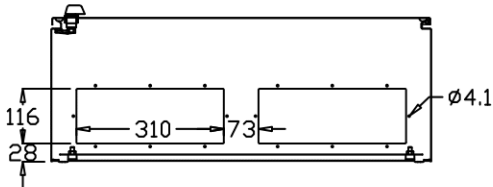
FRONT VIEW



SIDE VIEW



MOUNTING PLATE



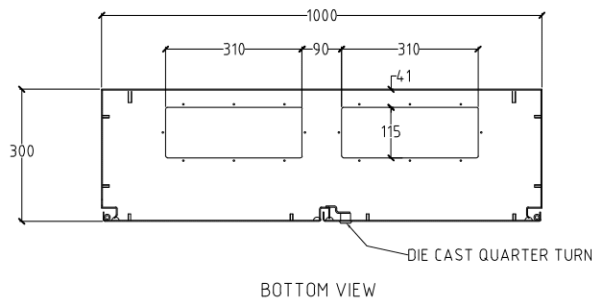
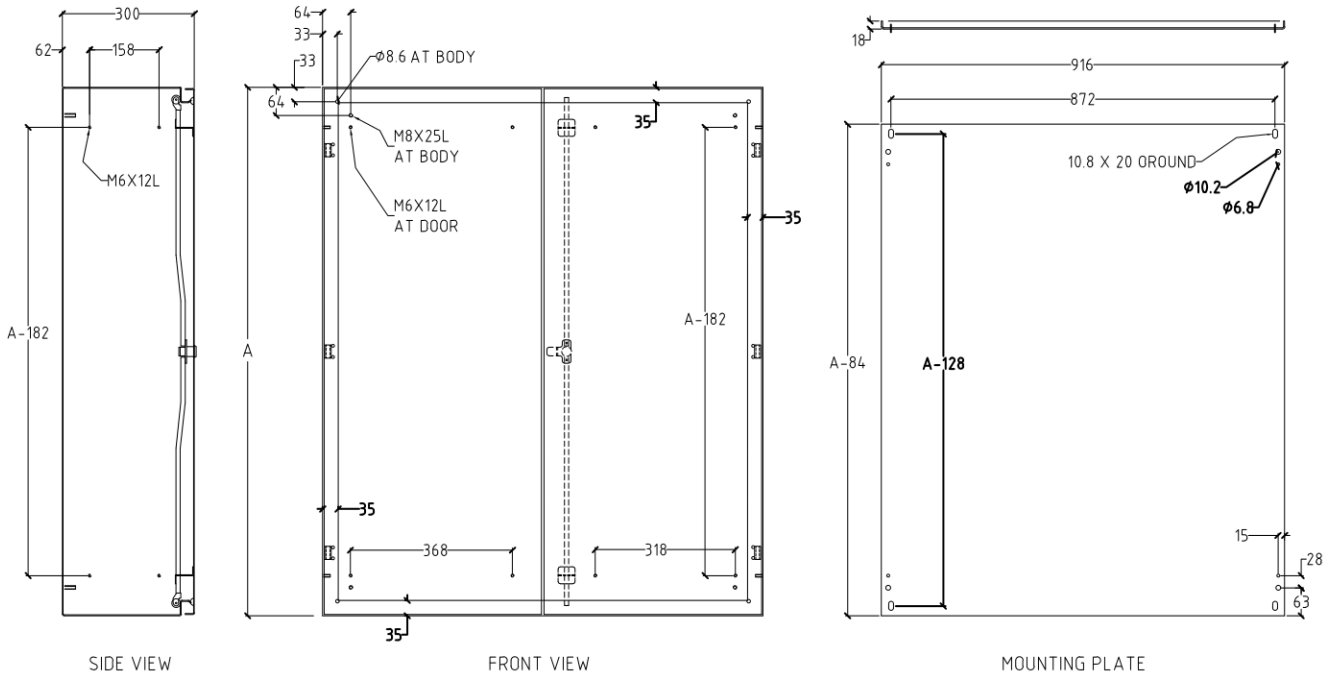
BOTTOM VIEW

CR MODEL DESCRIPTION		
PART NAME	MATERIAL	FINISHING
BODY/GLAND PLATE	1.4MM M.S	POLYESTER POWDER COATING
DOOR	2.0MM M.S	RAL7032, BEIGE
MOUNTING PLATE	2.0MM M.S	RAINBOW PLATED
WALL BRACKET	3.0MM M.S	

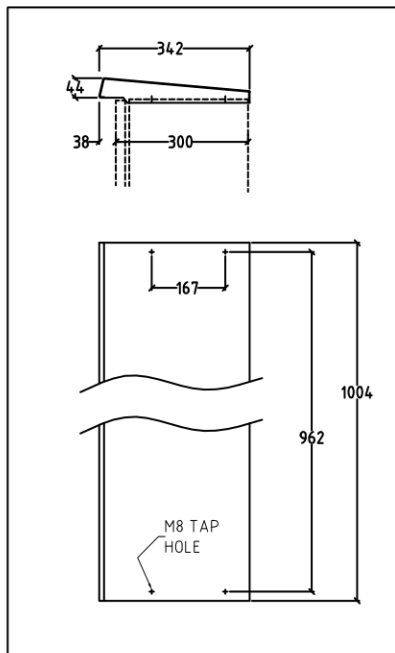
MODEL	A	B	C	TOP & BOTTOM GLAND TYPE	WALL BRACKETS	WEIGHT (KG)
CR808025	800	800	253	C4	4	39.5
CR1008030	1000	800	303	C4	4	50.0
CR1208030	1200	800	303	C4	4	58.5

NOTES: 1) MEASUREMENTS ARE IN MM
2) DOUBLE GLAND OPENINGS ON TOP & BOTTOM

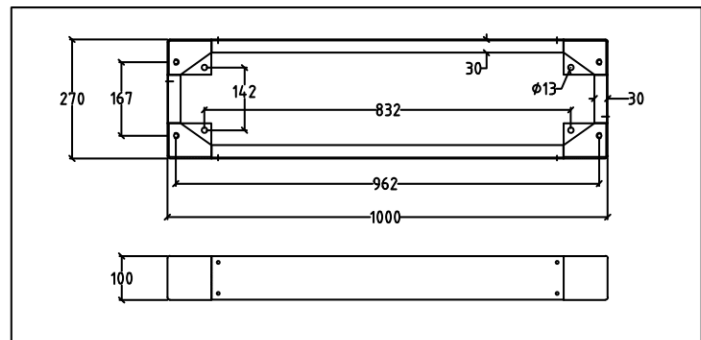
SPECIFICATIONS & DIMENSIONS
TWO DOOR ENCLOSURE



CANOPY



CANOPY



TWO DOOR ENCLOSURE	
TYPE	A
CR1008030H	800
CR10010030	1000
CR12010030	1200

PART NAME	MATERIAL	FINISHING
BODY/DOOR	2MM CR	RAL 7032 POLYESTER COATED
GLAND PLATE	1.5MM CR	RAL 7032 POLYESTER COATED
M. PLATE	2.5MM GI	ORIGINAL
CANOPY	1.5MM EG	RAL 7032 POLYESTER COATED
PLINTH	2/3MM CR	BLACK POLYESTER COATED