



**AEROTEMP ENGINEERING SDN BHD**

# RAINBOW THERMOSTAT



## Rainbow TS-Series Adjustable Thermostat



**Thermostat** which operates from a remote bulb linked with a 1m capillary, changeover contacts (SPDT) enable use with both heating and cooling loads. Supplied with chrome mounting bezel and knob.

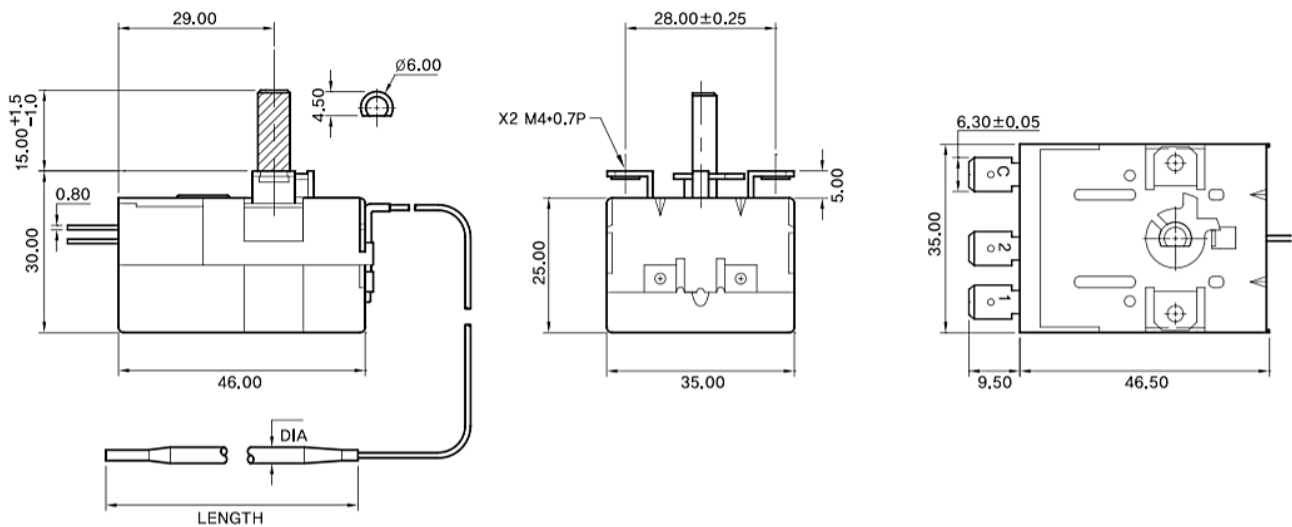
**Safety Limit Thermostat** with automatic reset and positive cut-off activated when capillary breaks (SPDT contact). Suitable for domestic/commercial applications

### Features:

- Control the temperatures of the installed device.
- Auto-adjusting device where temperatures fluctuate within a set range.
- Temp Range: 0°C to 320°C (-22°F to 608°F)
- Switch Life Cycle: 100,000 Cycles
- Bulb & Capillary Tube: 300 Series Stainless Steel
- UL, CE, TUV, KC, RoHS Certification

## Specification:

Model	TS-120S	TS-200S	TS-320S
Temp Range	0°C ~ 120°C	50°C ~ 200°C	50°C ~ 320°C
Ratings	20A / 250V	20A / 250V	20A / 250V
Bulb Dimension	Ø5.0 x 106mm	Ø5.0 x 89mm	Ø5.0 x 60mm
Switch Action	SPST / SPDT	SPST / SPDT	SPST / SPDT
Accuracy	± 3°C	± 8°C	± 11°C
DIFF.	3 ± 1.5C	6 ± 3°C	7 ± 4°C

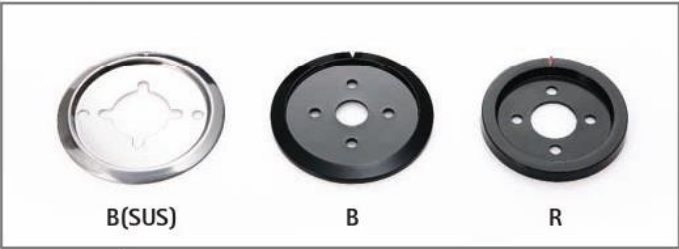


# Option & Accessory:

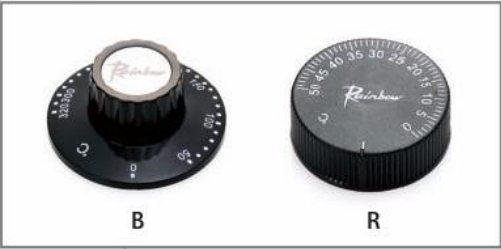
Bulb Type



Bezel Type



Knob Type



Stuffing Bolt



Terminal Type

