

# Floor Standing Industrial Enclosures



## IP 55 (IEC 529)



- **Material**
  - Body & Door – 2.0mm mild steel.
  - Plinth (black) – 2.0 to 3.0mm mild steel.
  - Mounting plate – 3.0mm galvanised steel.
- Surface finished with polyester powder coating RAL7032 texture, CVS beige colour.
- Complete with mounting plate (adjustable in depth).
- C-rails welded at both sides of internal body for mounting accessories.
- A continuous seal of polyurethane gasket at door provides high IP protection.
- Double folded gutter at door frame to increase rigidity and prevent water from entering while door is opened.
- Removable door rails ensure flexibility and rigidity.
- Single door is reversible for right or left opening.
- 3-point locking system.
- Optional items – eye bolt, plinth, canopy, inner door, transparent door, and fan/filter/rainhood.



SIRIM  
Certified to: MS IEC 60529: 2005  
Certification No.: LC020801

# IP 55 (IEC 529)

## Floor Standing Industrial Enclosures

Model and Dimension

| NO. | MODEL     | DIMENSION<br>H x W x D | NOS OF<br>DOOR | MOUNTING<br>PLATE | BOTTOM<br>GLAND HOLE | CANOPY   | INNER<br>DOOR | PERSPEX<br>DOOR | PLINTH<br>(100H) |
|-----|-----------|------------------------|----------------|-------------------|----------------------|----------|---------------|-----------------|------------------|
| 1   | CM148/40  | 1400 x 800 x 400       | 1              | 1316 x 716        | 540 x 180 x 1        | CPM8040  | ID148         | PD148           | PL84/100         |
| 2   | CM1410/40 | 1400 x 1000 x 400      | 2              | 1316 x 916        | 690 x 180 x 1        | CPM10040 | ID1410        | PD1410          | PL104/100        |
| 3   | CM168/40  | 1600 x 800 x 400       | 1              | 1516 x 716        | 540 x 180 x 1        | CPM8040  | ID168         | PD168           | PL84/100         |
| 4   | CM1610/10 | 1600 x 1000 x 400      | 2              | 1516 x 916        | 690 x 180 x 1        | CPM10040 | ID1610        | PD1610          | PL104/100        |
| 5   | CM1612/40 | 1600 x 1200 x 400      | 2              | 1516 x 1116       | 360 x 180 x 2        | CPM12040 | ID1612        | PD1612          | PL124/100        |
| 6   | CM188/40  | 1800 x 800 x 400       | 1              | 1716 x 716        | 540 x 180 x 1        | CPM8040  | ID188         | PD188           | PL84/100         |
| 7   | CM1810/40 | 1800 x 1000 x 400      | 2              | 1716 x 916        | 690 x 180 x 1        | CPM10040 | ID1810        | PD1810          | PL104/100        |
| 8   | CM1812/40 | 1800 x 1200 x 400      | 2              | 1716 x 1116       | 360 x 180 x 2        | CPM12040 | ID1812        | PD1812          | PL124/100        |
| 9   | CM208/40  | 2000 x 800 x 400       | 1              | 1916 x 716        | 540 x 180 x 1        | CPM8040  | ID208         | PD208           | PL84/100         |
| 10  | CM2010/40 | 2000 x 1000 x 400      | 2              | 1916 x 916        | 690 x 180 x 1        | CPM10040 | ID2010        | PD2010          | PL104/100        |
| 11  | CM2012/40 | 2000 x 1200 x 400      | 2              | 1916 x 1116       | 360 x 180 x 2        | CPM12040 | ID2012        | PD2012          | PL124/100        |

\* All dimensions in mm

### Optional Items

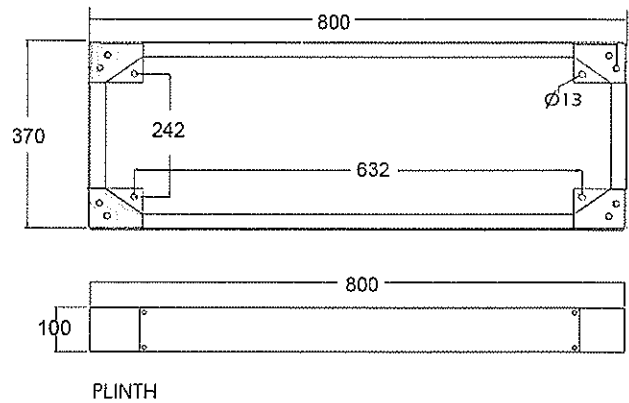
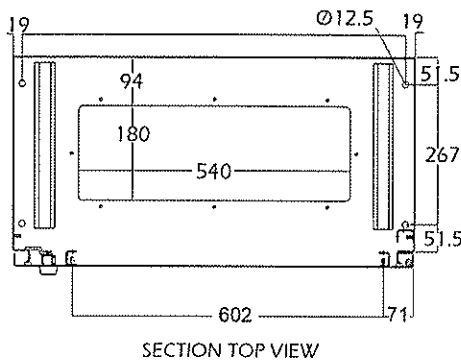
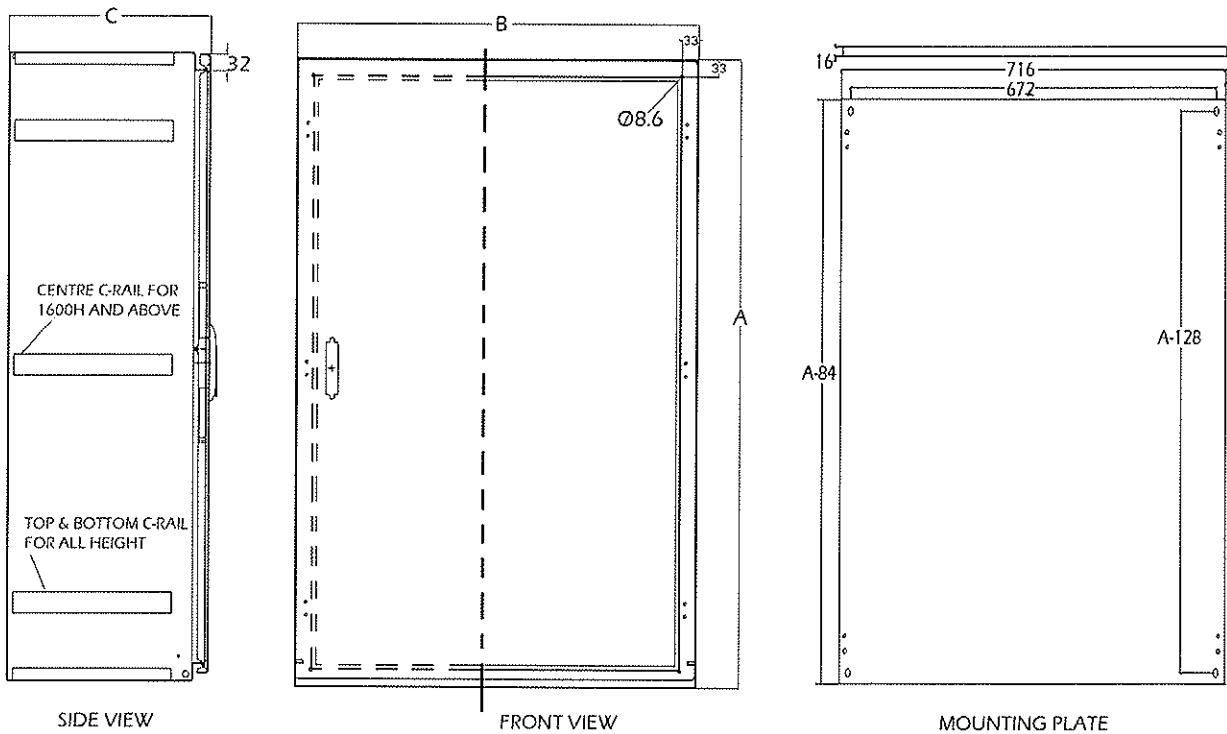


# CVS METAL INDUSTRIES SDN BHD

CVS-S25  
REV.:1

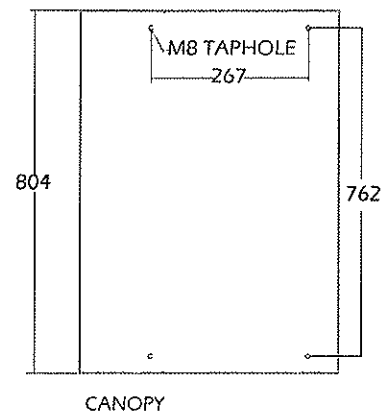
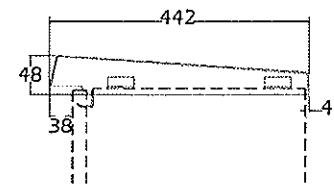
## SPECIFICATIONS & DIMENSIONS

### FLOOR STANDING INDUSTRIAL ENCLOSURES CM800W



| FLOOR MOUNTING ENCLOSURE |      |     |     |
|--------------------------|------|-----|-----|
| MODEL NO.                | A    | B   | C   |
| CM148/40                 | 1400 | 800 | 400 |
| CM168/40                 | 1600 | 800 | 400 |
| CM188/40                 | 1800 | 800 | 400 |
| CM208/40                 | 2000 | 800 | 400 |

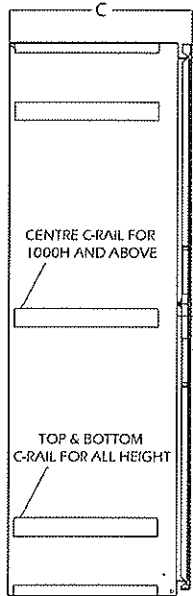
| PART NAME        | MATERIAL  | FINISH   |
|------------------|-----------|--|
| BODY/COVER(DOOR) | 2MM M.S   | } RAL7032 - BEIGE<br>(POLYESTER POWDER COATED) |
| GLAND PLATE      | 2MM M.S   |  |
| CANOPY           | 1.5MM M.S |  |
| MOUNTING PLATE   | 3MM GI    | ORIGINAL                                       |
| PLINTH           | 2/3MM M.S | RALS004 - BLACK<br>(POLYESTER POWDER COATED)   |



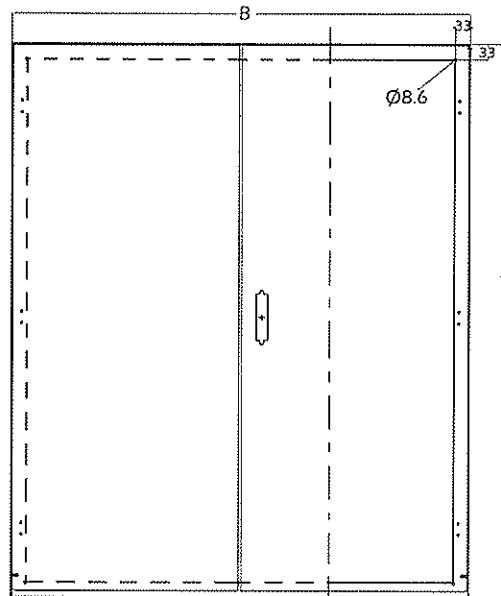
# CVS METAL INDUSTRIES SDN BHD

## SPECIFICATIONS & DIMENSIONS

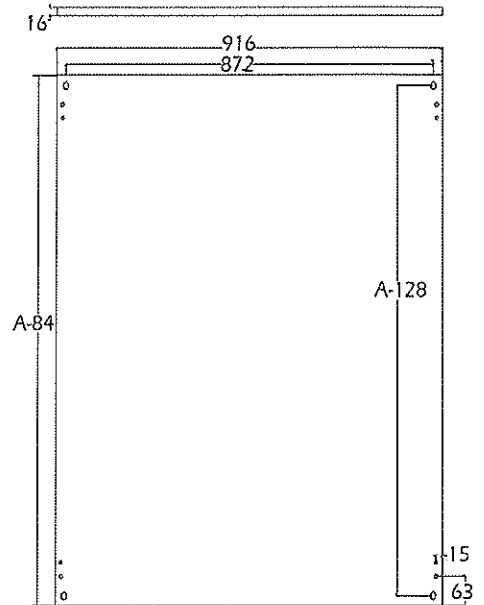
### FLOOR STANDING INDUSTRIAL ENCLOSURES CM1000W



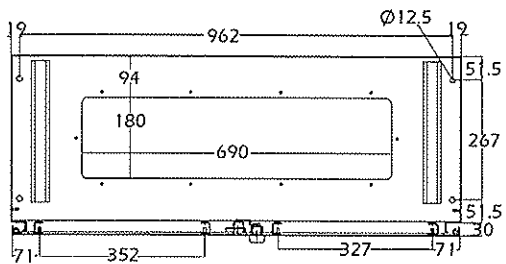
SIDE VIEW



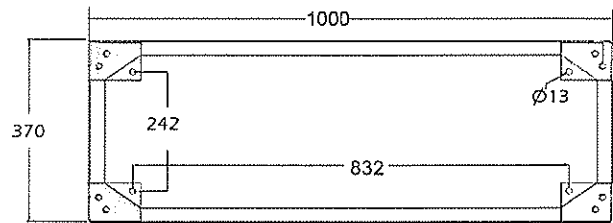
FRONT VIEW



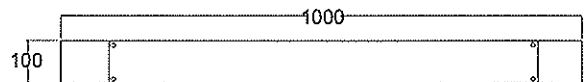
MOUNTING PLATE



SECTION TOP VIEW

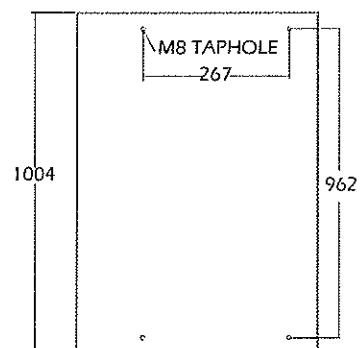
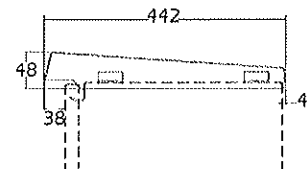


PLINTH



| FLOOR STANDING ENCLOSURE |      |      |     |
|--------------------------|------|------|-----|
| MODEL                    | A    | B    | C   |
| CM1410/40                | 1400 | 1000 | 400 |
| CM1610/40                | 1600 | 1000 | 400 |
| CM1810/40                | 1800 | 1000 | 400 |
| CM2010/40                | 2000 | 1000 | 400 |

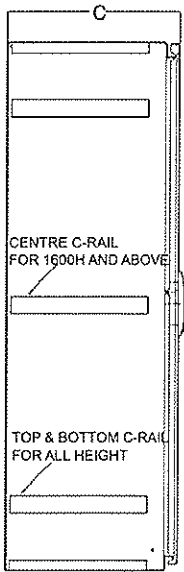
| PART NAME        | MATERIAL  | FINISH                                       |
|------------------|-----------|--|
| BODY/COVER(DOOR) | 2MM M.S   | RAL7032 - BEIGE<br>(POLYESTER POWDER COATED) |
| GLAND PLATE      | 2MM M.S   |  |
| CANOPY           | 1.5MM MS  |  |
| MOUNTING PLATE   | 3MM GI    | ORIGINAL                                     |
| PLINTH           | 2/3MM M.S | RAL5004 - BLACK<br>(POLYESTER POWDER COATED) |



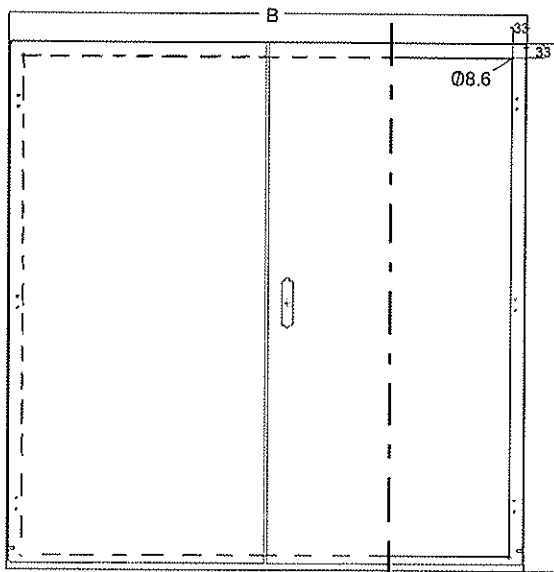
CANOPY

SPECIFICATIONS & DIMENSIONS

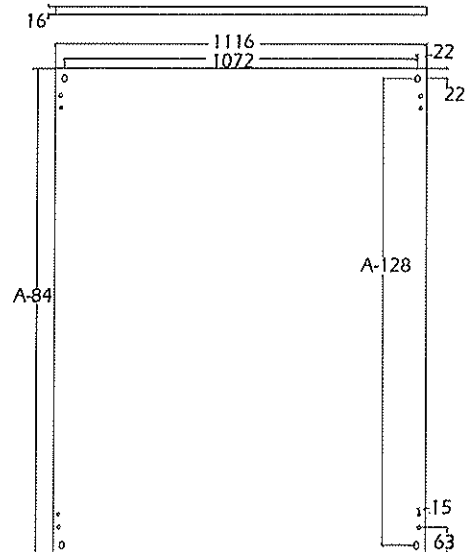
FLOOR STANDING INDUSTRIAL ENCLOSURES  
CM1200W



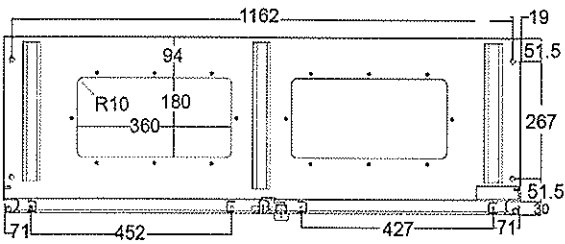
SIDE VIEW



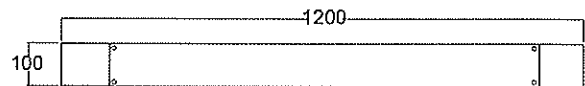
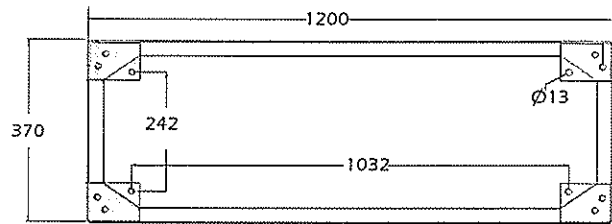
FRONT VIEW



MOUNTING PLATE

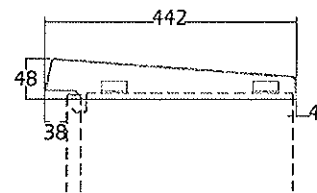


SECTION VIEW

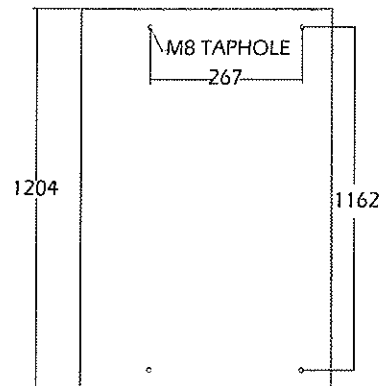


PLINTH

| FLOOR STANDING ENCLOSURE |      |      |     |
|--------------------------|------|------|-----|
| MODEL                    | A    | B    | C   |
| CM1612/40                | 1600 | 1200 | 400 |
| CM1812/40                | 1800 | 1200 | 400 |
| CM2012/40                | 2000 | 1200 | 400 |



| PART NAME      | MATERIAL  | FINISH   |
|----------------|-----------|--|
| BODY/DOOR      | 2MM M.S   | } RAL7032 - BEIGE<br>(POLYESTER POWDER COATED) |
| GLAND PLATE    | 2MM M.S   |  |
| CANOPY         | 1.5MM M.S |  |
| MOUNTING PLATE | 3MM GI    | ORIGINAL                                       |
| PLINTH         | 2/3MM M.S | RAL5004 - BLACK<br>(POLYESTER POWDER COATED)   |



CANOPY