



AEROTEMP ENGINEERING SDN BHD

FLOAT SWITCH



Stainless Steel ATS - 1

Material:

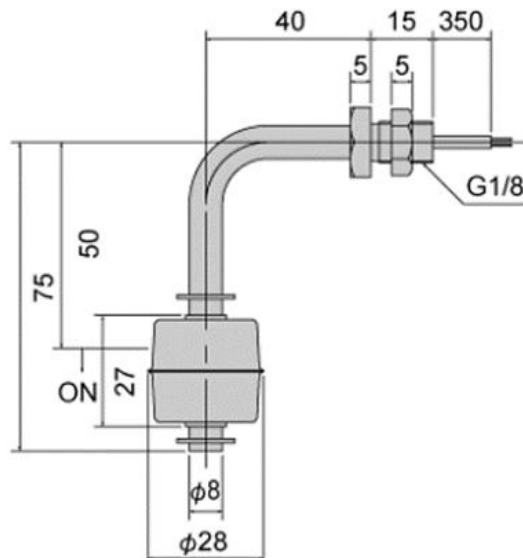
Stem	SUS304 (316)
Float	
Stopper	
Nut	



Specification:

Temperature Range (Atm. Pressure)		-40°C ~ +120°C
Pressure Resistance (Room Temp.)		1MPa
Specific Gravity of the liquid		Heavier than 0.8
Electric Specification	Maximum Contact Capacity	50W DC/AC
	Maximum Voltage	300V DC/AC
	Maximum Current	0.5A DC/AC

Dimension:



Stainless Steel ATS - 2

Material:

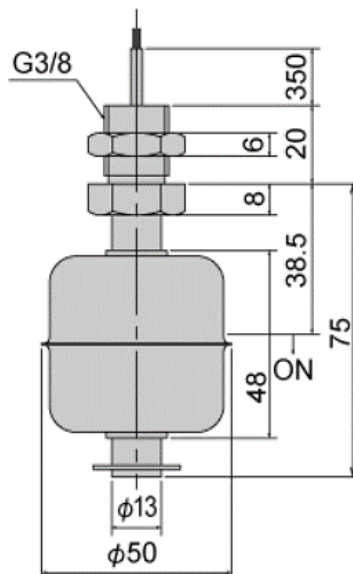
Stem	SUS304 (316)
Float	
Stopper	
Nut	



Specification:

Temperature Range (Atm. Pressure)		-40°C ~ +120°C
Pressure Resistance (Room Temp.)		1MPa
Specific Gravity of the liquid		Heavier than 0.65
Electric Specification	Maximum Contact Capacity	50W DC/AC
	Maximum Voltage	300V DC/AC
	Maximum Current	0.5A DC/AC

Dimension:



Stainless Steel ATS - 3

Material:

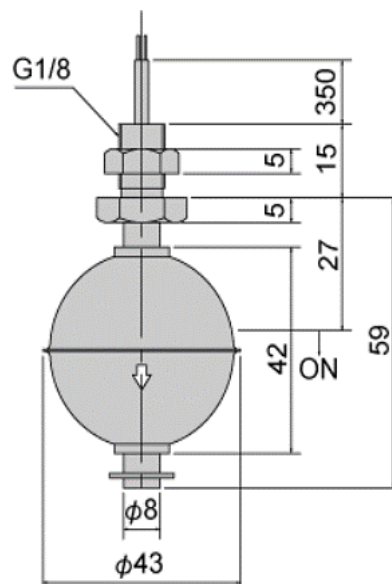
Stem	SUS304 (316)
Float	
Stopper	
Nut	



Specification:

Temperature Range (Atm. Pressure)		-40°C ~ +120°C
Pressure Resistance (Room Temp.)		4MPa
Specific Gravity of the liquid		Heavier than 0.7
Electric Specification	Maximum Contact Capacity	50W DC/AC
	Maximum Voltage	300V DC/AC
	Maximum Current	0.5A DC/AC

Dimension:



Stainless Steel ATS - 4

Material:

Stem	SUS304
Float	
Stopper	
Nut	



Specification:

Temperature Range (Atm. Pressure)		-40°C ~ +120°C
Pressure Resistance (Room Temp.)		0.5MPa
Specific Gravity of the liquid		Heavier than 0.8
Electric Specification	Maximum Contact Capacity	50W DC/AC
	Maximum Voltage	300V DC/AC
	Maximum Current	0.5A DC/AC

Dimension:

