



AEROTEMP ENGINEERING SDN BHD

NOZZLE HEATER

- NYLON B





30 x 25

SPECIFICATION

DIAMETER	30 MM
HEIGHT	25 MM
VOLTAGE	240 V
POWER	150 W



30 x 40

SPECIFICATION

DIAMETER	30 MM
HEIGHT	40 MM
VOLTAGE	240 V
POWER	200 W



35 X 25

SPECIFICATION

DIAMETER	35 MM
HEIGHT	25 MM
VOLTAGE	240 V
POWER	200 W



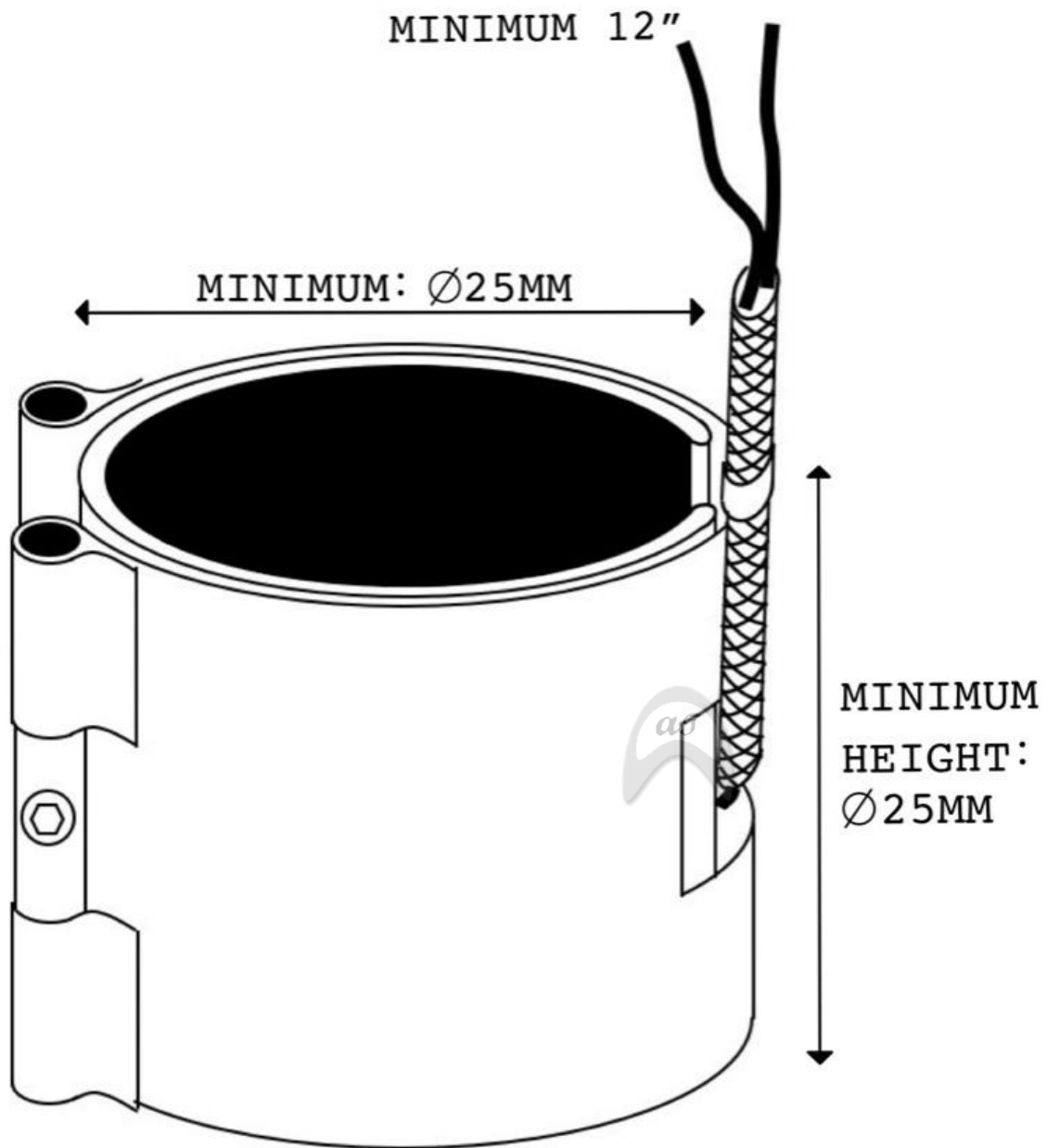
40 X 40

SPECIFICATION

DIAMETER	40 MM
HEIGHT	40 MM
VOLTAGE	240 V
POWER	200 W

CUSTOM-MADE IS AVAILABLE. PLEASE CONTACT OUR MARKETING DEPARTMENT 03-51626033

ORDER INFORMATION



*DIAMENTION, POWER & VOLTAGE ARE CUSTOMIZABLE